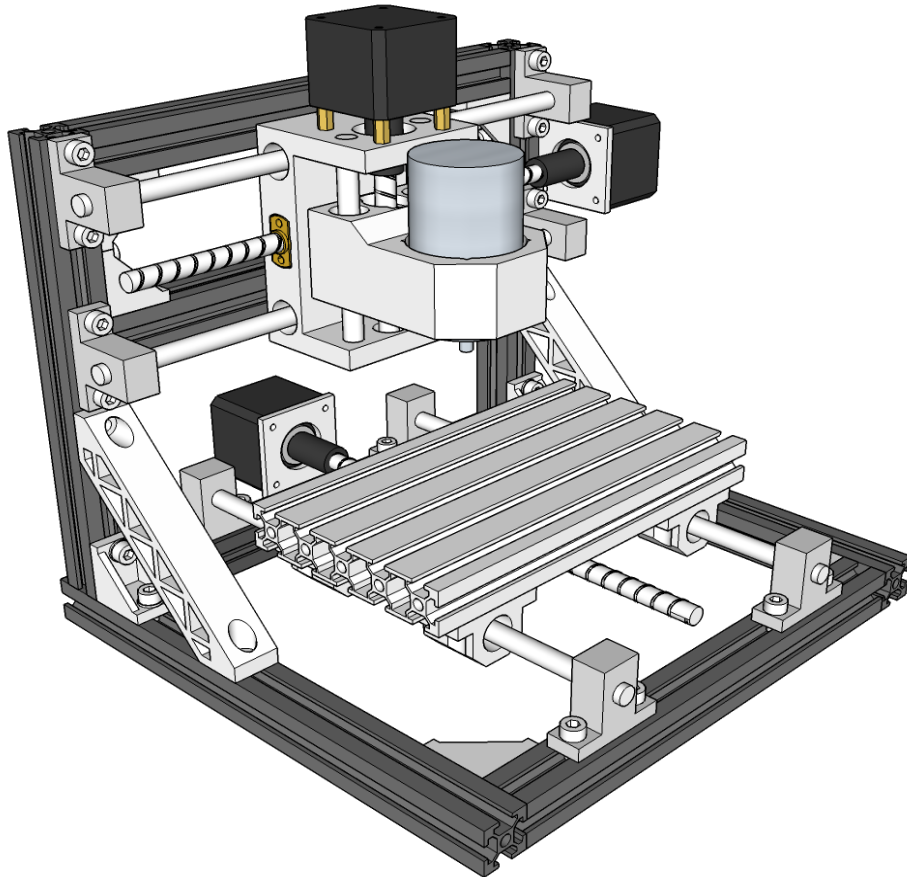


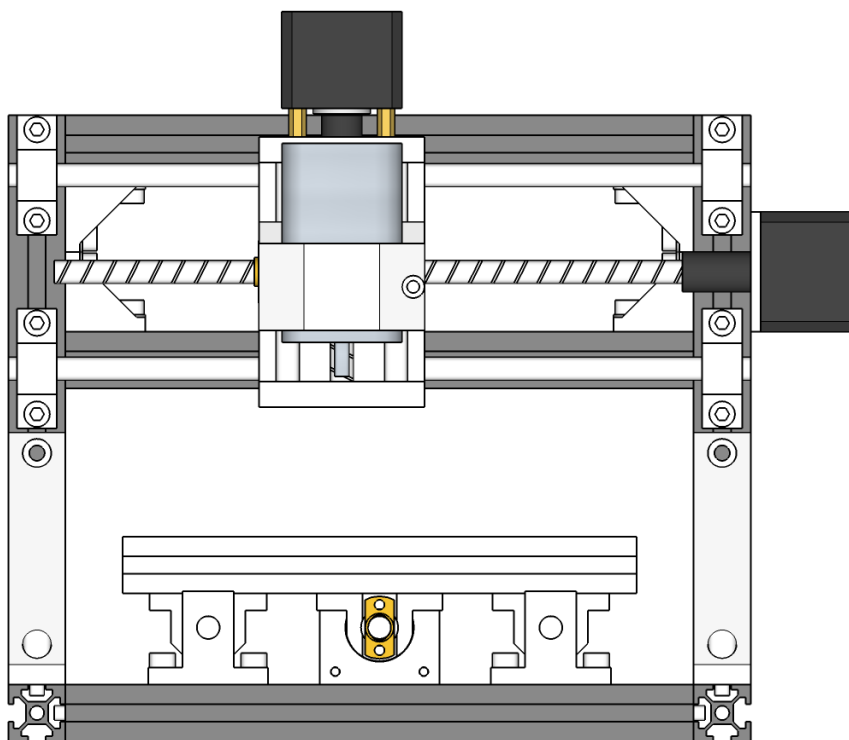
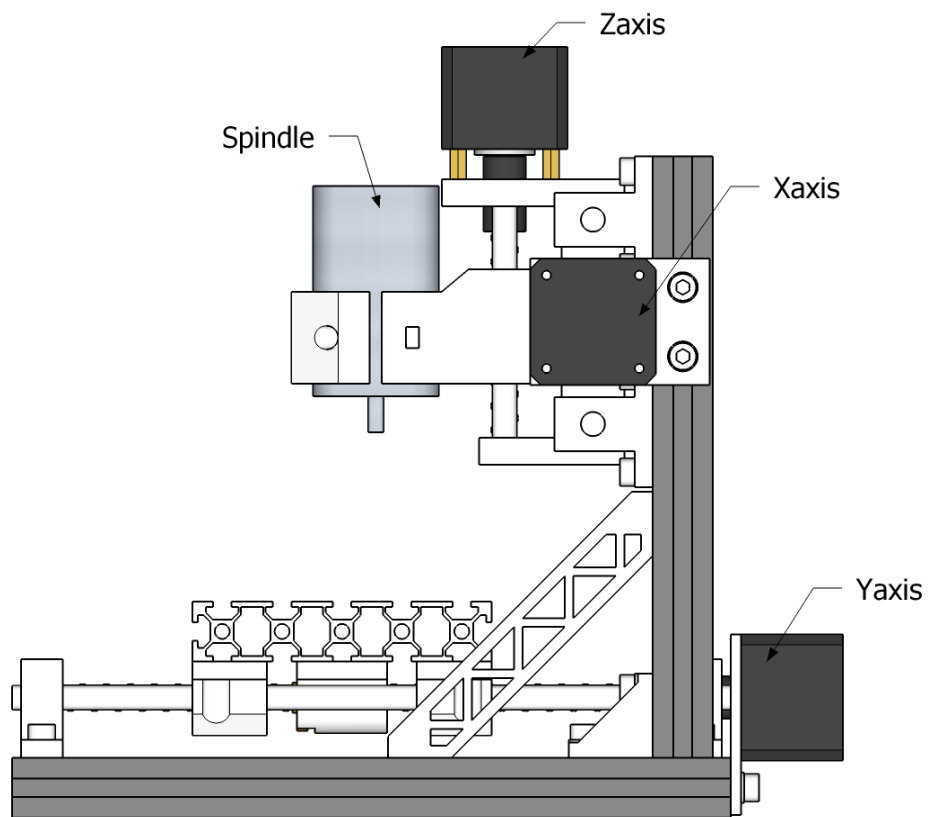
# WOODPECKER CNC

## Assembly instructions

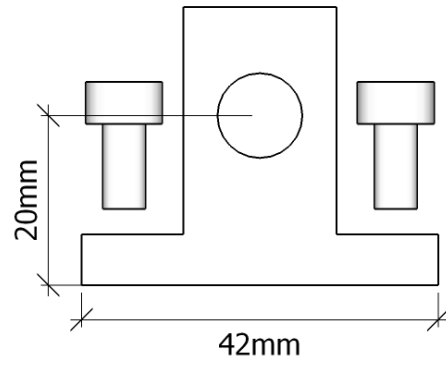
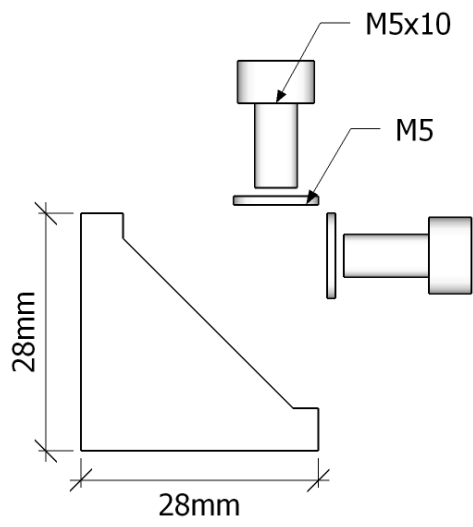
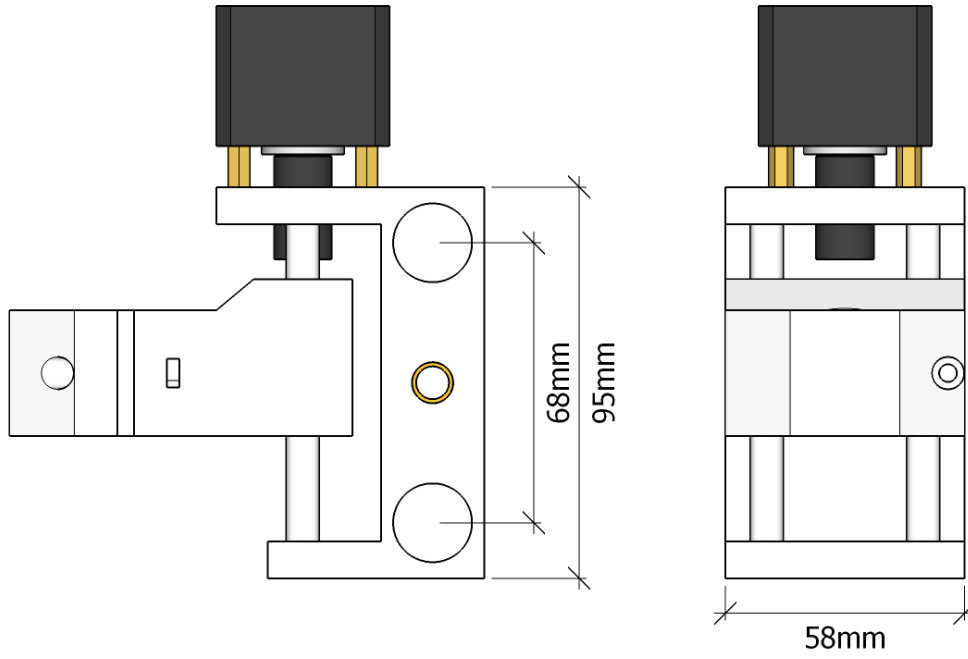


**V2.4**

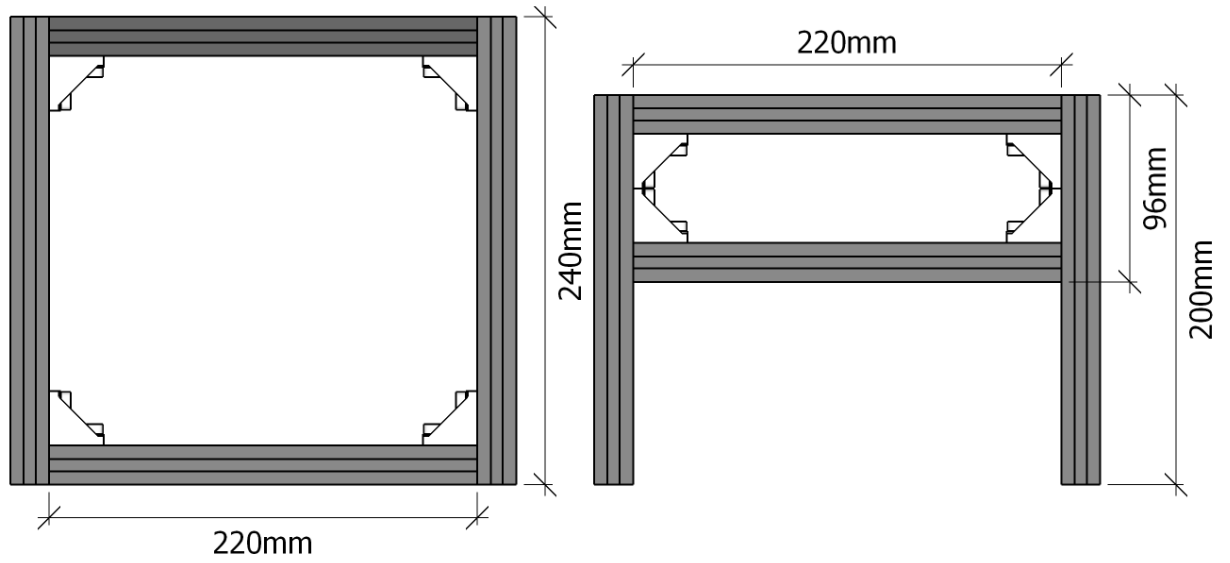
◆ Right view and Rear view



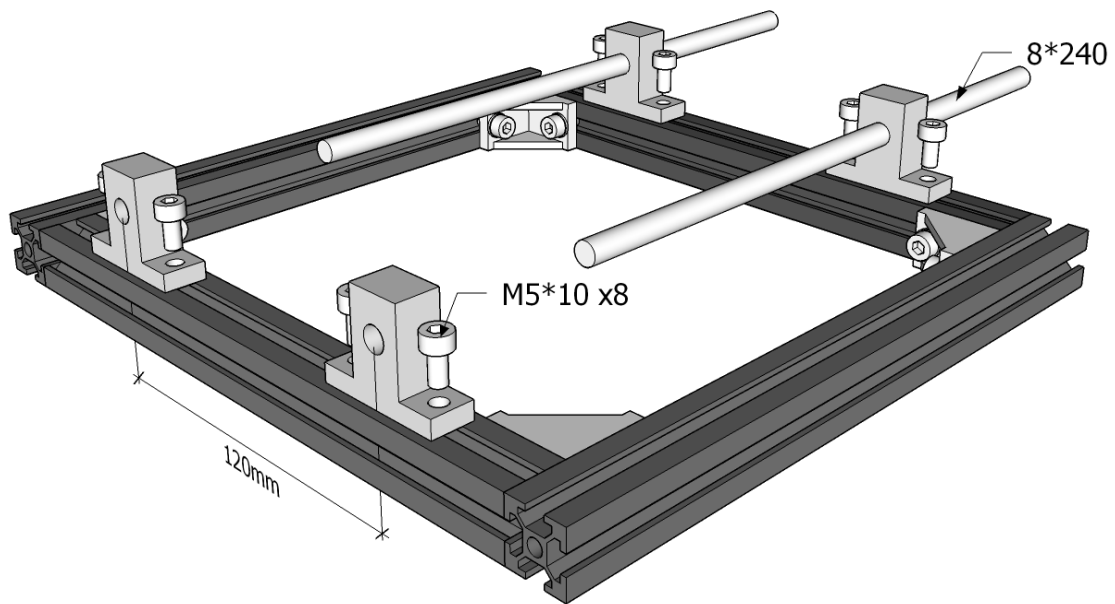
◆ Component size:



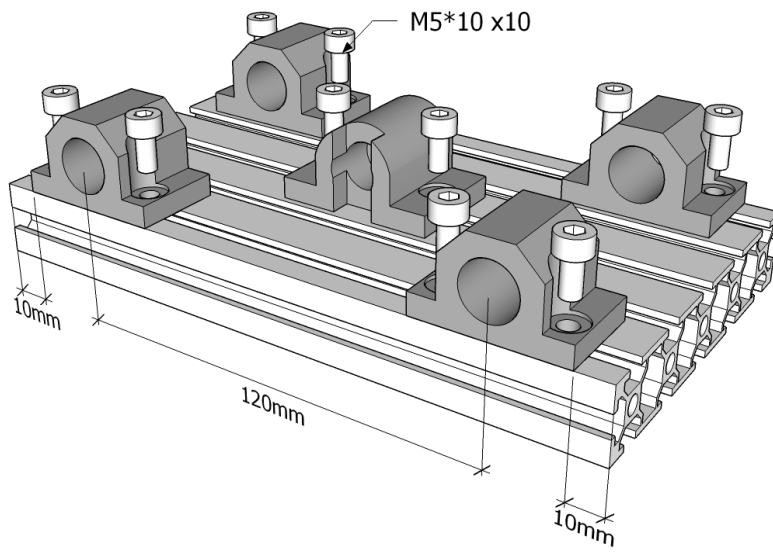
Frame installation



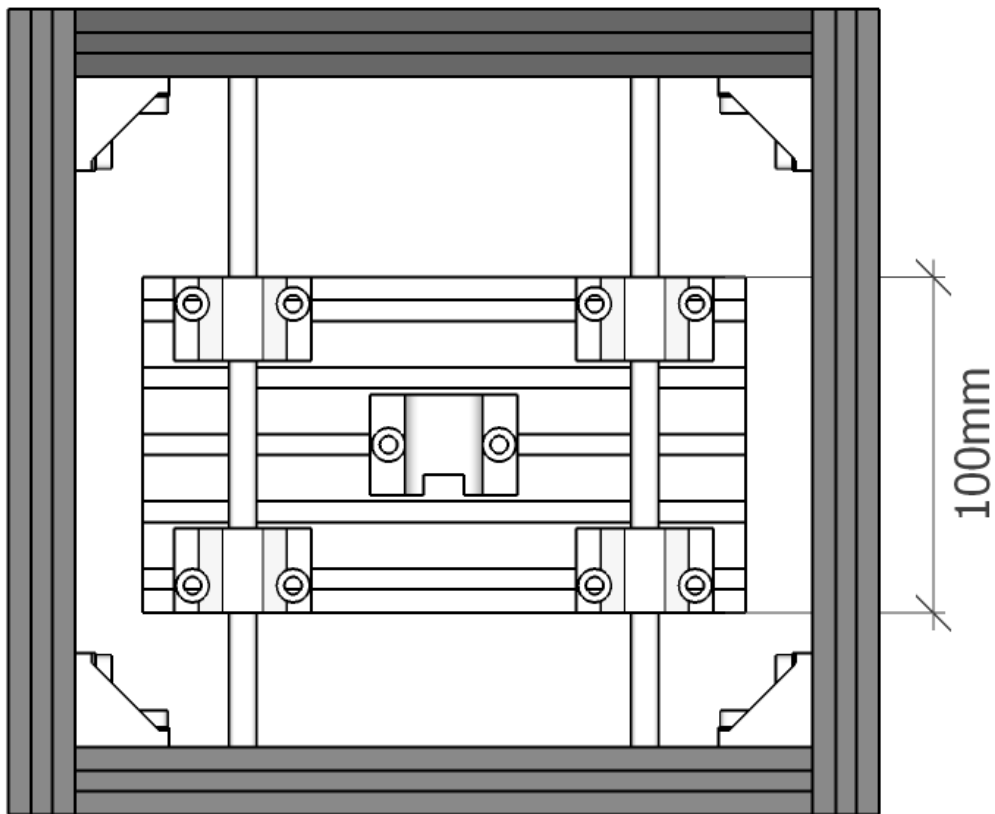
Y-axis installation 1, as the picture showed, **do not use the Spacer**



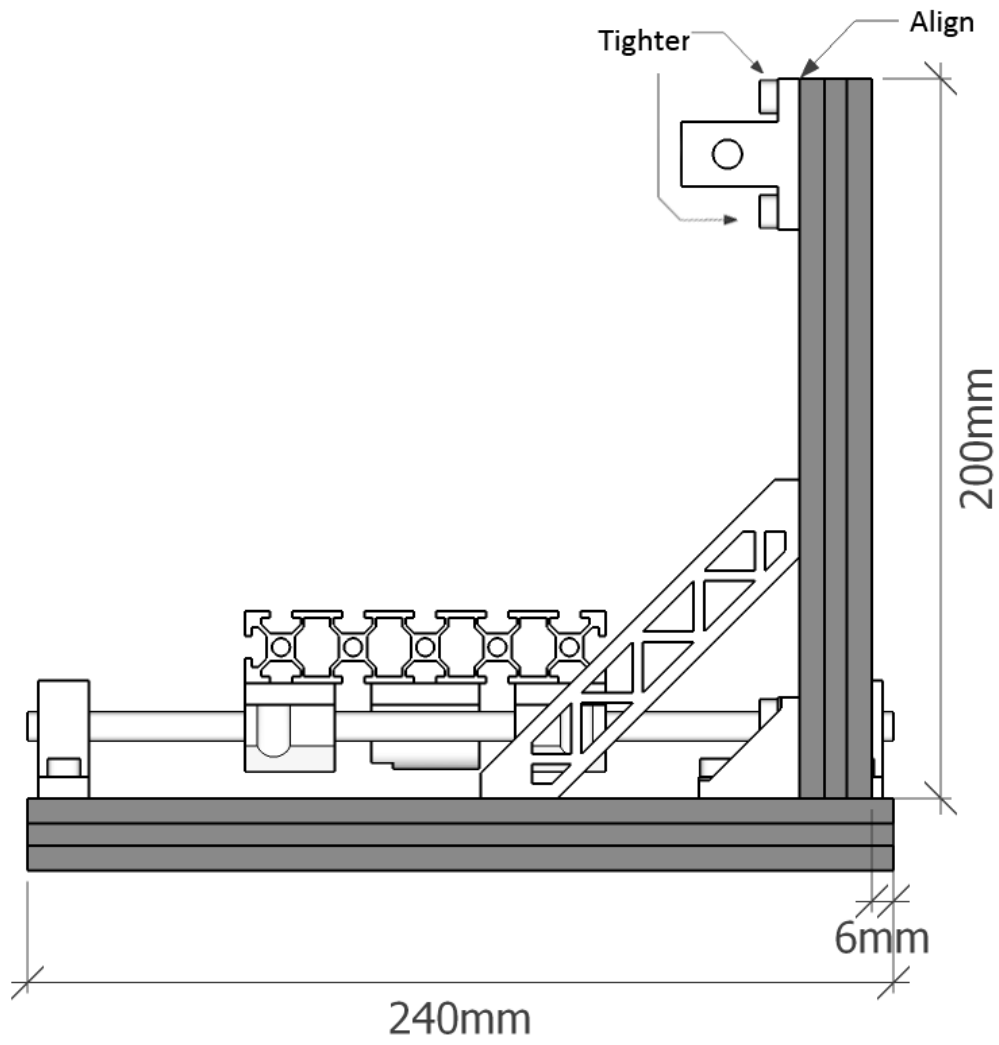
Y-axis installation 2, as the picture showed , **do not use the Spacer**



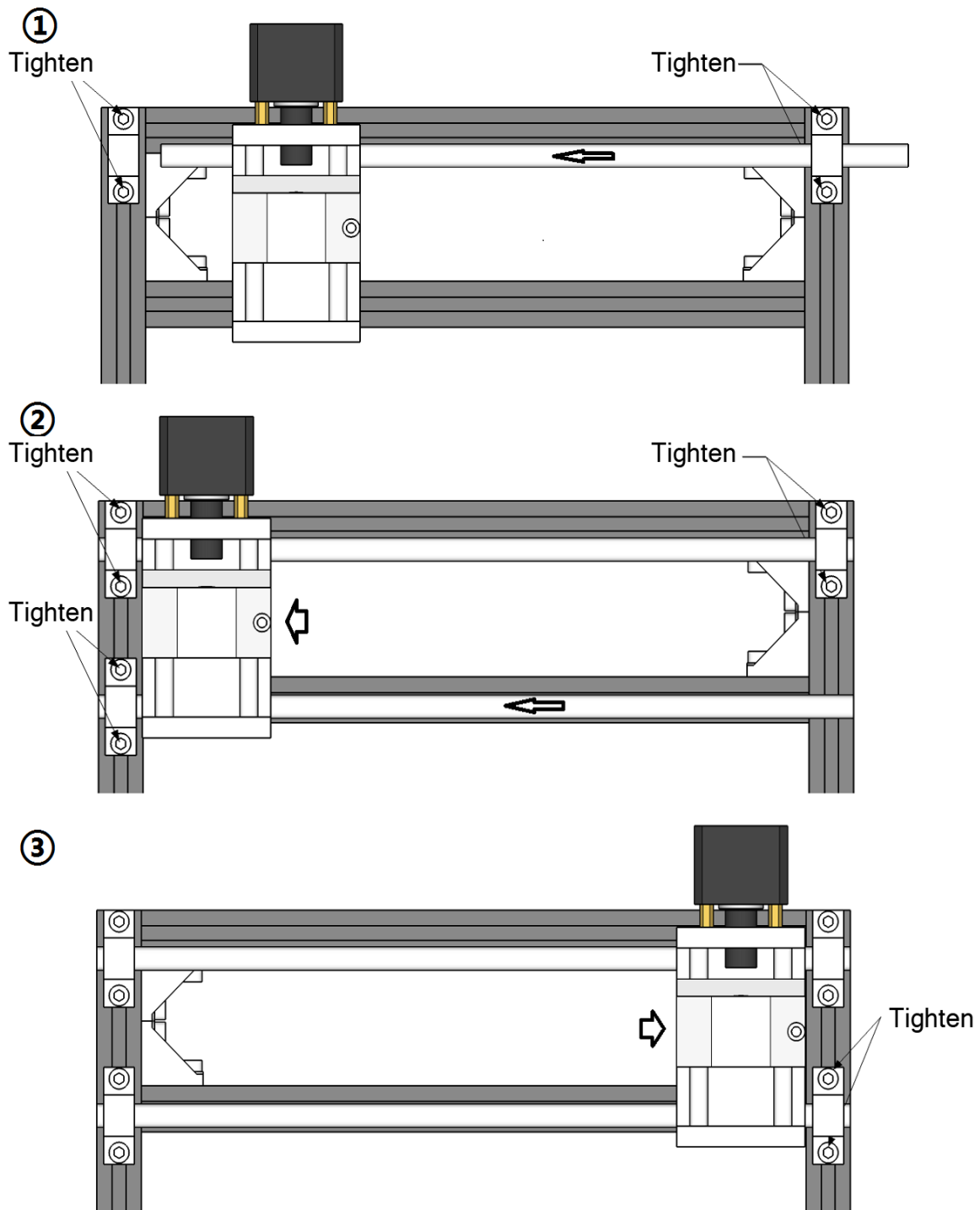
Y-axis installation 3



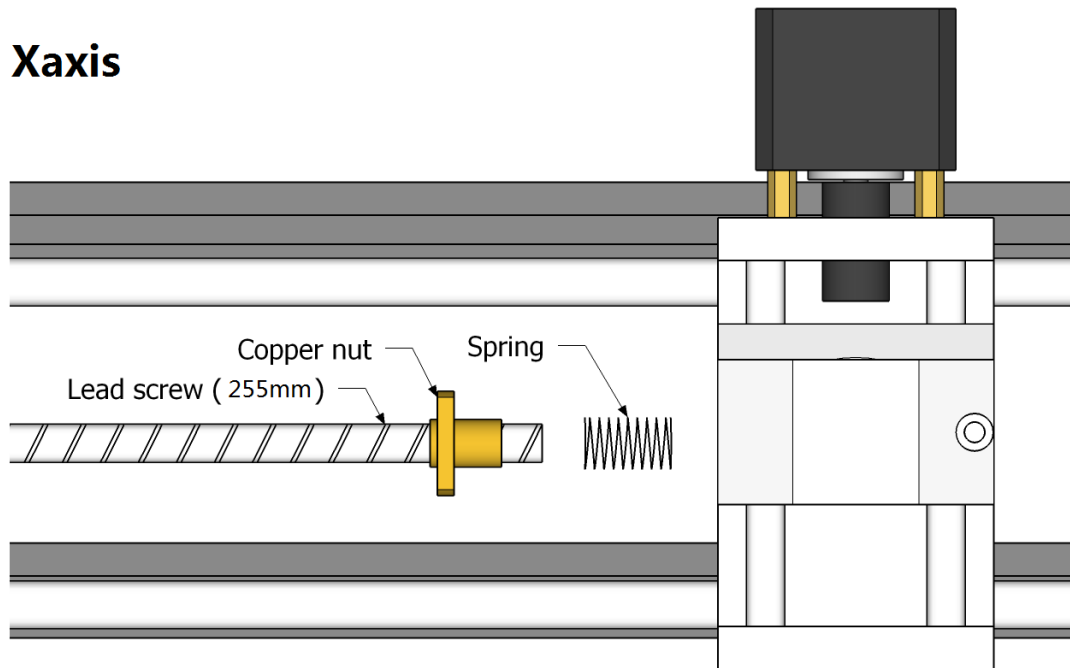
- Frame installation



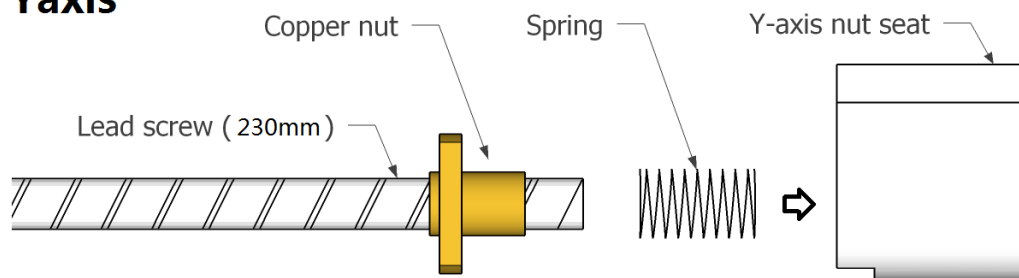
## XZ axis installation



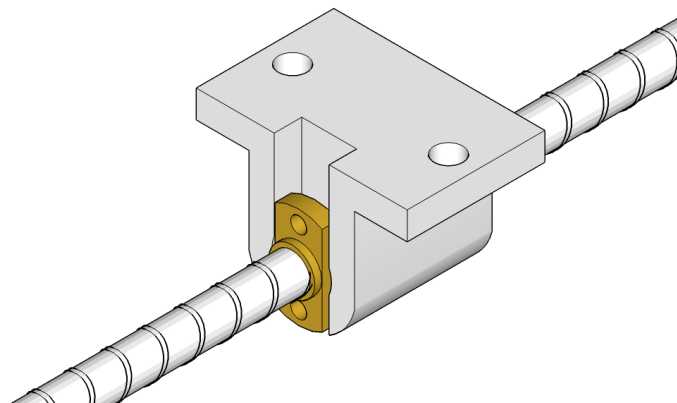
## Xaxis



## Yaxis

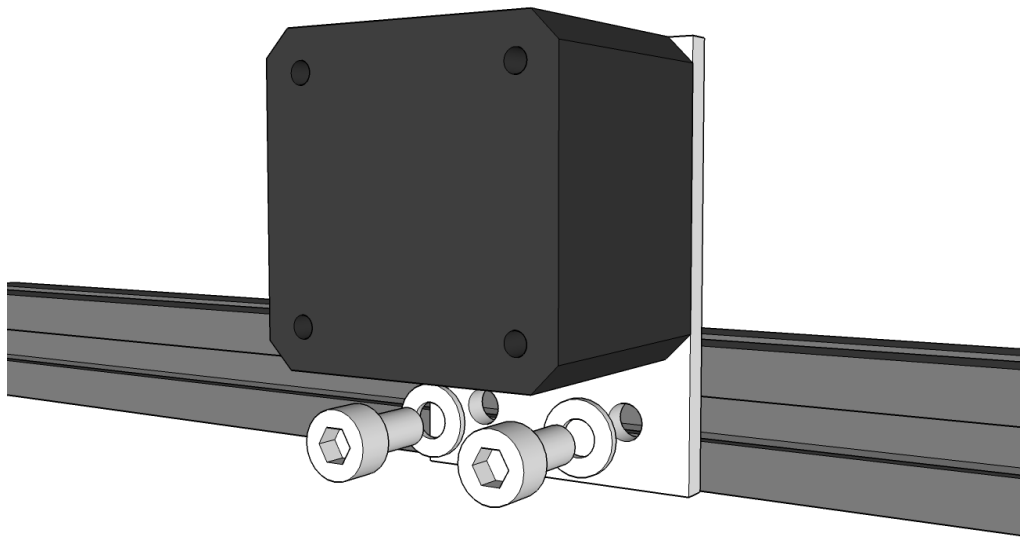
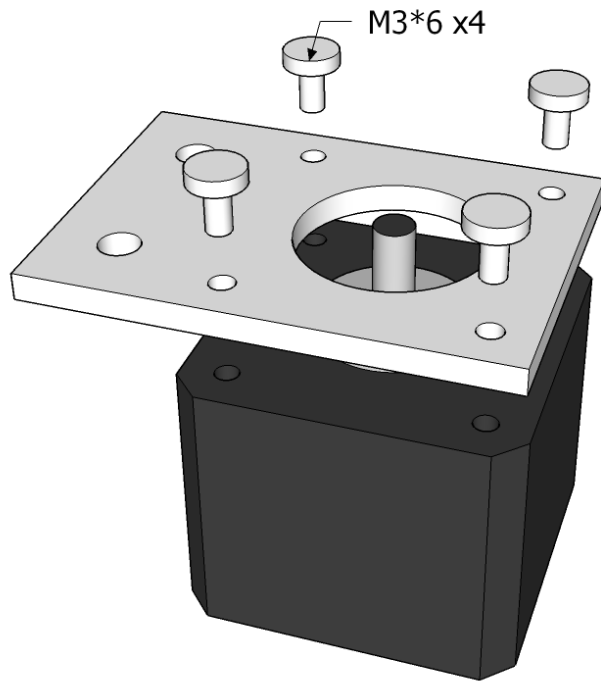


## Y axis lead screw final effect

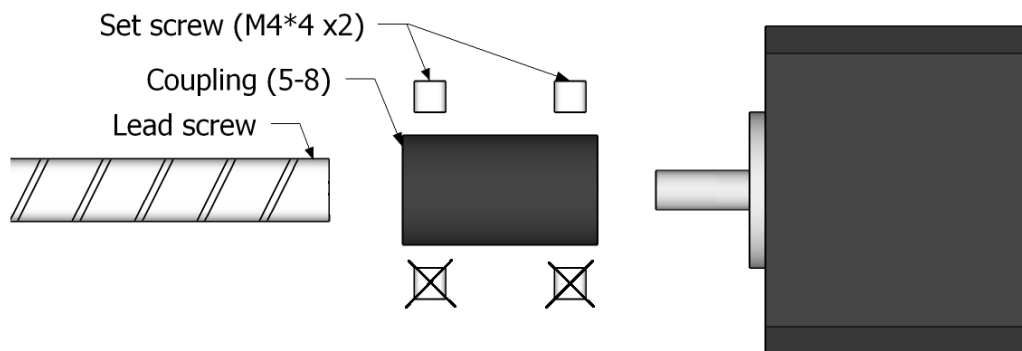




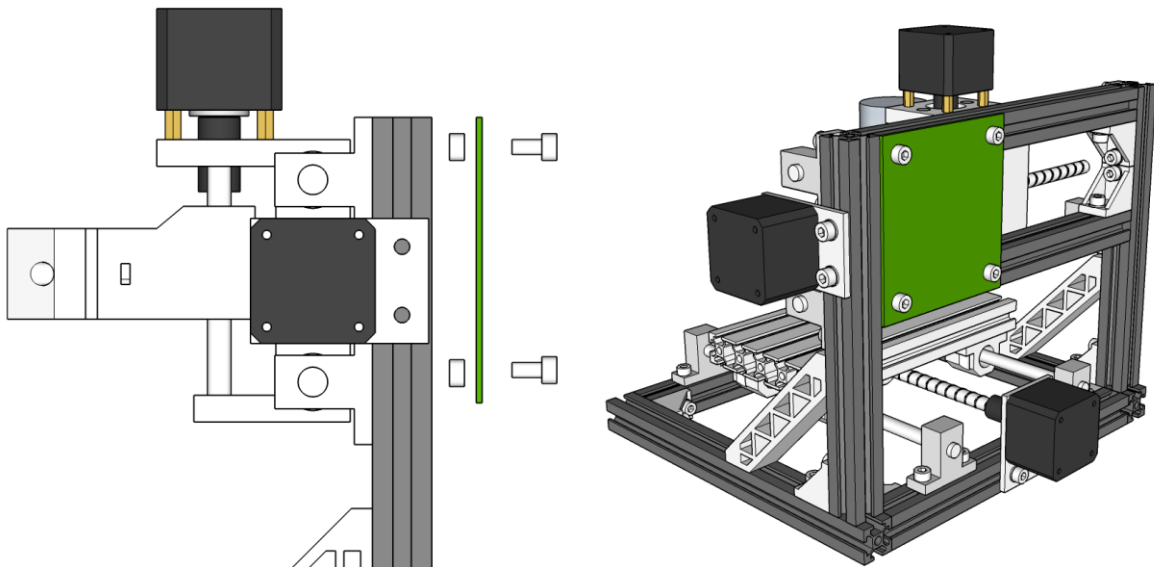
- stepper motor mounting



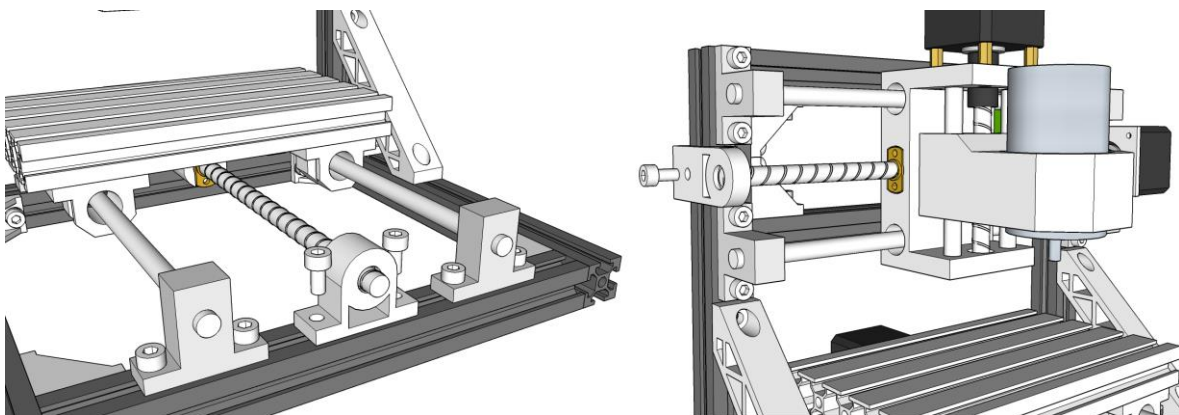
## Coupling installation



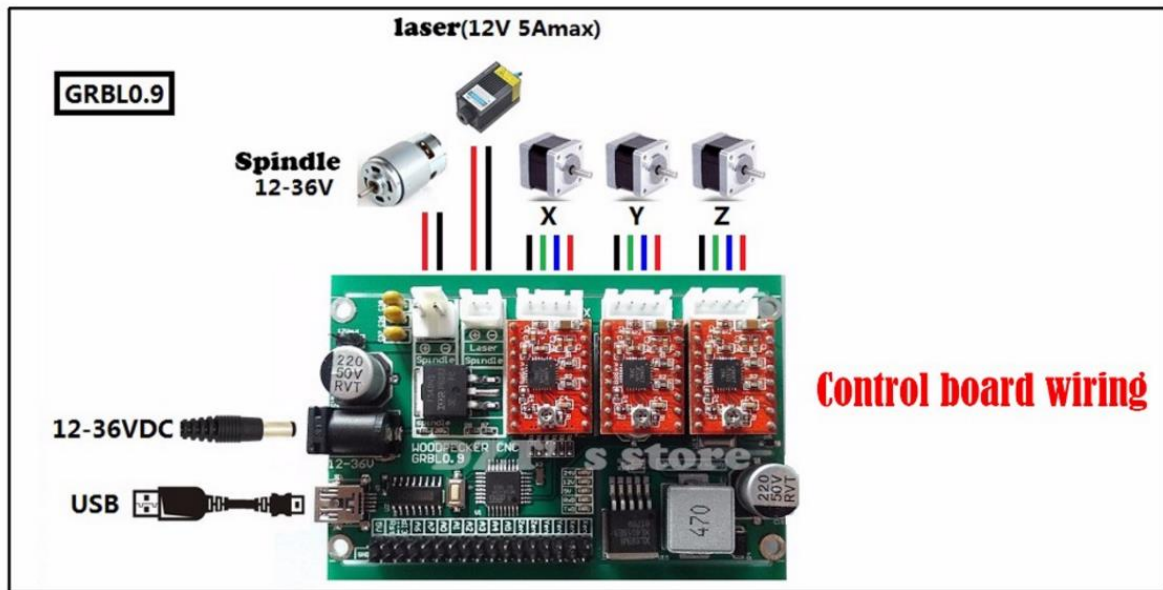
**Control board installation,** M5\*10 Screws 4pcs, M5 Nylon washer 4pcs.



## Axle-bearing installation



Wiring diagram:



If you have any problems , please contact with us .

Our email address : [460511929@qq.com](mailto:460511929@qq.com)